

## Stream6000 RF Record/Playback System



### Introduction

Stream6000 is a turn-key RF record and playback system ideal for Radar, Software Radio, Beam-forming and MIMO communication etc. applications.

Stream6000 support RF input/output signal frequency range from 70MHz to 6GHz, the instant bandwidth is up to 56MHz. Comparing to traditional super heterodyne RF Up/Down converters, it uses a RFIC which has excellent signal sensitivity and noise figure, and supports gain from 0 to 74.5dB; it supports signal bandwidth from 200KHz to 56MHz. The RF wideband transmission dynamic range is up to 66dB. Through using RFIC, it significantly reduces system size, weight and power consumption, and reduces total cost of ownership.

It is based on 10+ years of experience in data recording technology, and its key focus is on data continuity, signal fidelity and system quality. This system has passed stringent acceptance test and provides user with a high fidelity signal acquisition system.

Leveraging high quality and comprehensive signal acquisition products, Stream series offers customers a complete of line of turn-key solutions for different sampling rate, channel count and resolution requirements. It can customize to user's different requirements.

### Applications

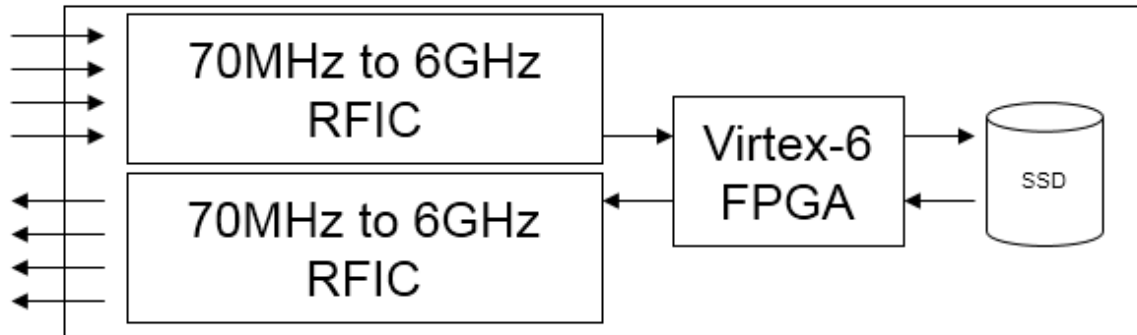
- Digital Beam-forming, MIMO Radar
- SIGINT and Spectrum Monitoring
- Software Defined Radio

### RF Front End Specifications

- RF Input/output range: 70MHz to 6GHz
- Instant Signal Bandwidth: 200KHz to 56MHz
- Gain: 0 to 74.5dB
- Noise Figure:
  - 7 dB @200MHz to 4 GHz
  - 10dB @4GHz to 6 GHz
- OP1dB: +18dBm

### Record and Playback Specifications

- 4Ch Record/Playback at bandwidth up to 56MHz each
- 4Ch@10MHz Recording or Playback
- 2Ch @ 20Mhz Recording or Playback
- 1Ch @40MHz Recording or Playback
- Record /Playback in 16bit I/16bit Q data format
- Intuitive GUI and display signal in Time/Frequency
- Linux OS



## Stream6000

Fig 1 : Stream 6000 System Block Diagram

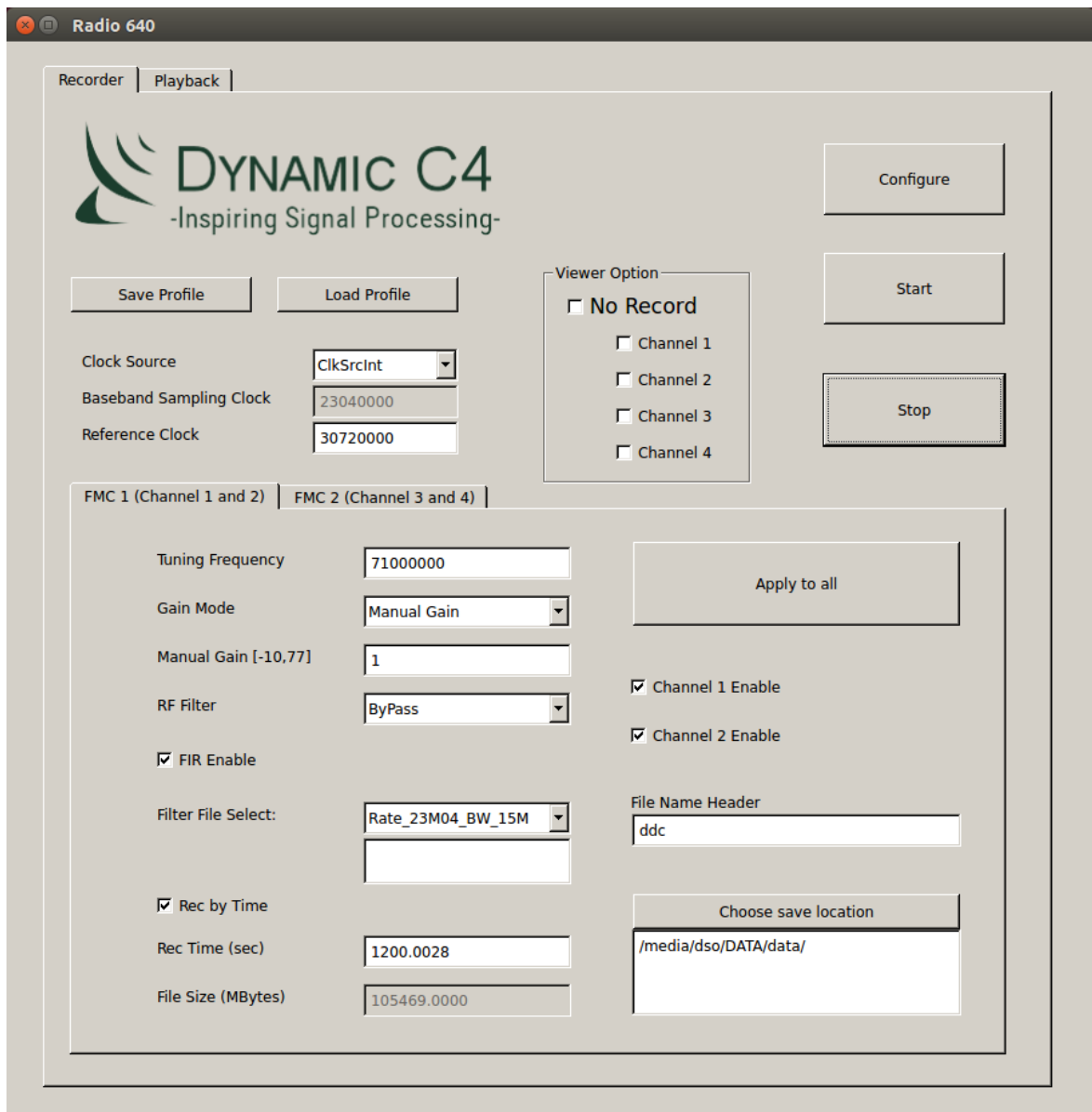


Fig 2: Stream6000 Control GUI

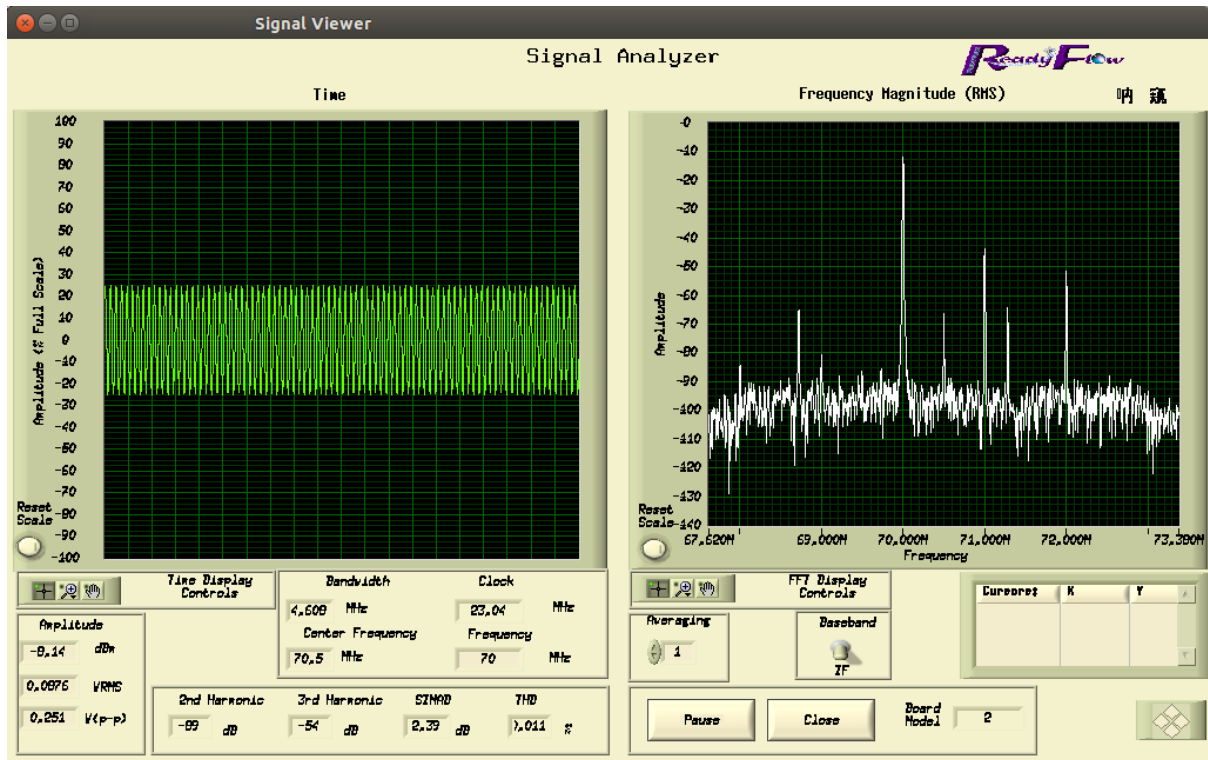


Fig 3, Signal Viewer

### Order Information

Model No.	Specifications
<b>Streaming6000</b>	70MHz to 6GHz RF Record/Playback System, 56MHz BW
- Opt 202	- 2Ch Recording
- Opt 204	- 4Ch Recording
- Opt 212	- 2Ch Playback
- Opt 214	- 4Ch Playback

**Dynamic C4 Pte Ltd.**

Address: 3 Science Park Drive, #04-11C,

The Franklin, Singapore Science Park I

Singapore 118223

Tel: +65 9338 2201

Fax: +65 6877 0838

Email: [sales@DynamicC4.com](mailto:sales@DynamicC4.com)

Web: [www.DynamicC4.com](http://www.DynamicC4.com)

Dynamic C4 Pte Ltd. reserves the right to change the product info with no prior notice.

All the trademarks are the property of their respective registered owner.